

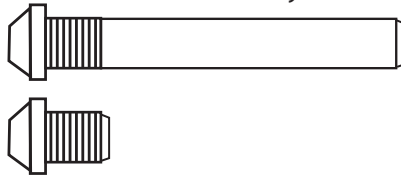


HINGES

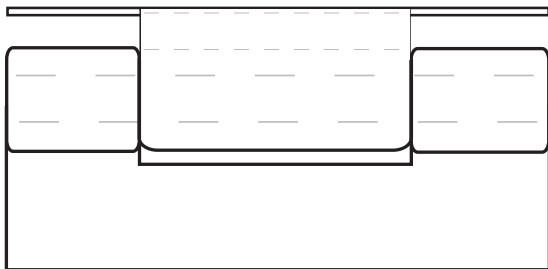
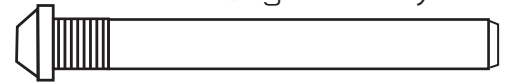
For metal and Wood Shells
Custom Designed
Precision Built
Tested Proven

All 1600 series inner wings and outer wings can be interchanged to give you a wider selection of hinges

2 Pin Assy.

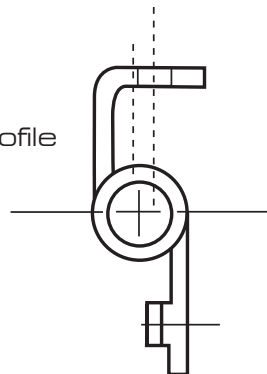


1 Ex Long Pin Assy.

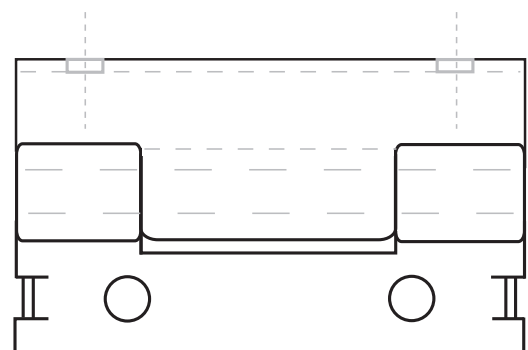


1630-705 Non - Ass. 1 Pin

1633-911 Profile



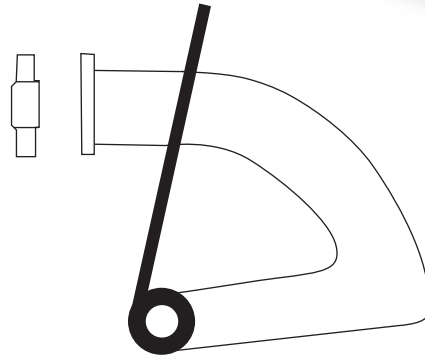
1633-911 Non - Ass. 1 Pin



HINGES

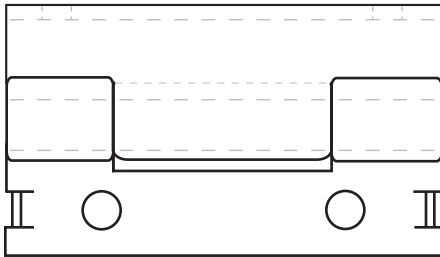
For metal and Wood Shells
 Custom Designed
 Precision Built
 Tested Proven

We have different length pins for the
 1600 series hinges

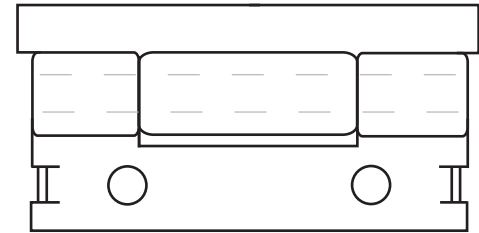


5050
 Hidden Hinge

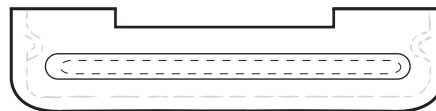
1630-703 Non-Ass. 1 Pin



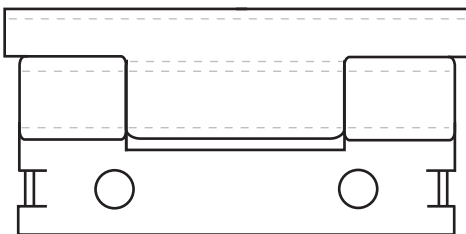
1633-908 Non-Ass. 2 Pins



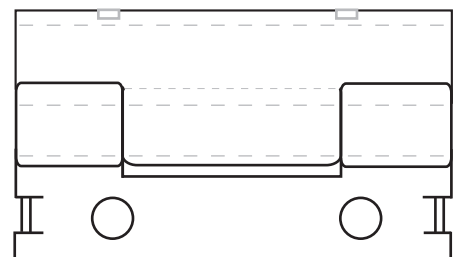
1630-3 (Cover)



1633-710 Non-Ass. 1 Pin



1633-700 Non-Ass. 1 Pin (No Cover)

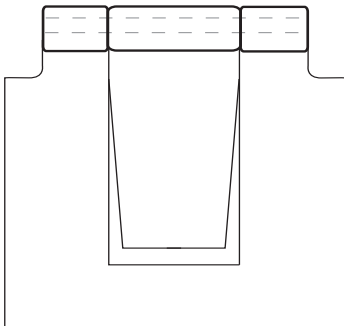


HINGES

For metal and Wood Shells
 Custom Designed
 Precision Built
 Tested Proven

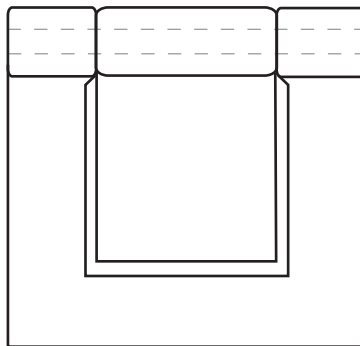
Hinges For Non-Sealer Caskets

1023-401 Non-Ass. 1 Pin



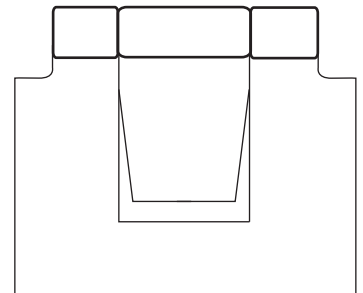
1022-300 Non-Ass. 1 Pin

1022-400 Ass. 1 Pin



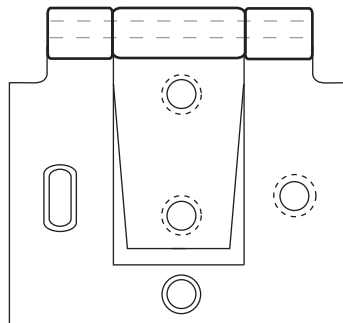
1024-301 Non-Ass. 1 Pin

1024-401 Ass. 1 Pin

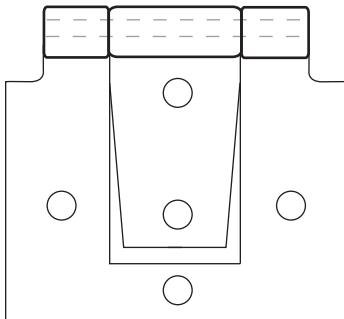


1024-100 Non-Ass. 1 Pin

1024-200 Ass. 1 Pin

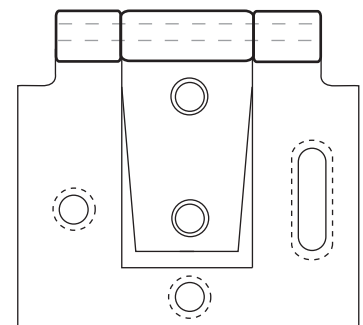


1023-113 Non-Ass. 1 Pin



1023-300 Non-Ass. 1 Pin

1023-400 Ass. 1 Pin

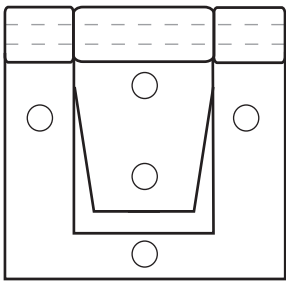


HINGES

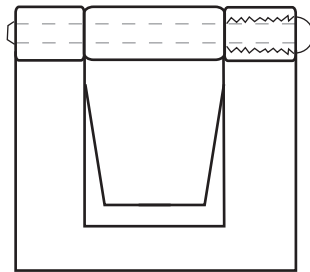
For metal and Wood Shells
 Custom Designed
 Precision Built
 Tested Proven

Small Hinges

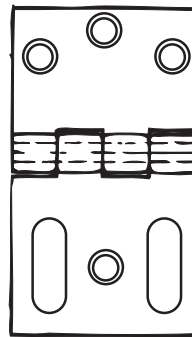
1860-101 Non-Ass 1 Pin



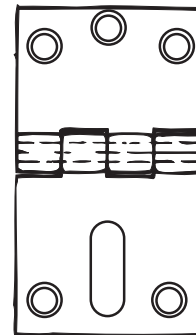
1860-200 Assembled



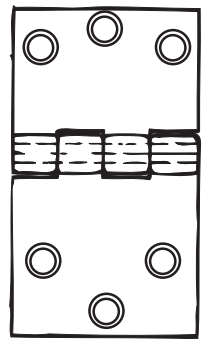
1015 Assembled



1010 Assembled

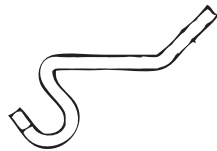


1013 Assembled

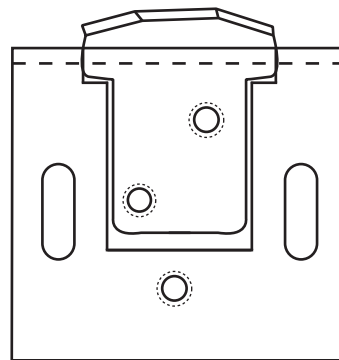


Separable Hinges

1500-8 Stud



1500-100



1500-10 ESC.

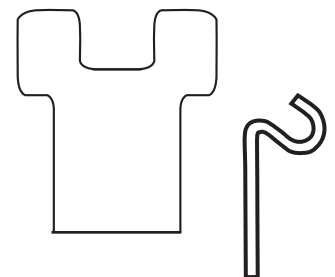
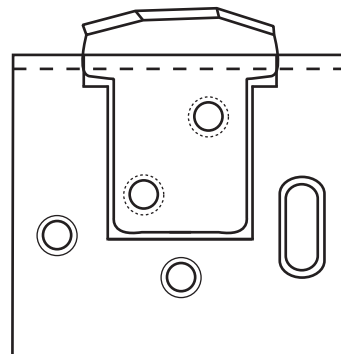
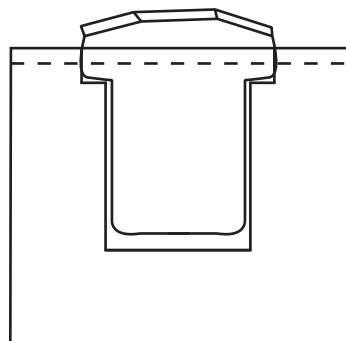
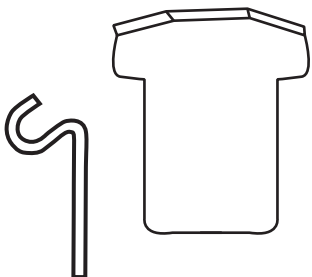


1500-6

1500-104

1500

1500-6s



1500-6 Profile

1500-6s Profile