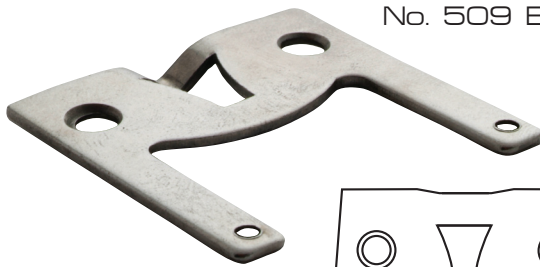
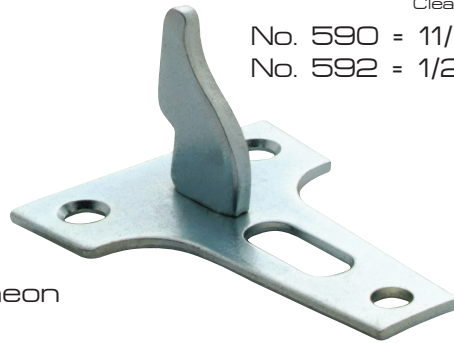
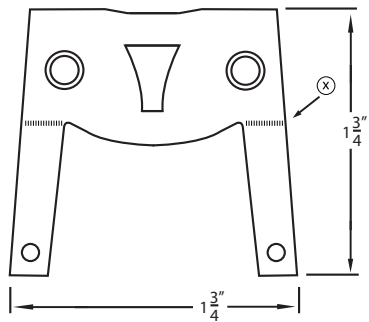


SEPARABLE HINGES

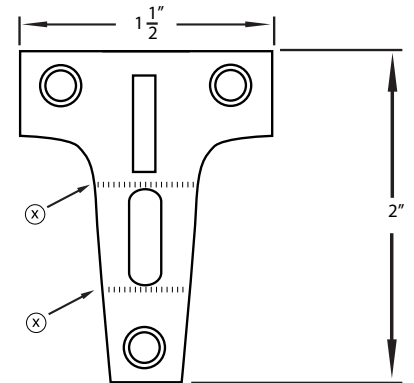
Both separable hinge and escutcheon are designed to bend at \otimes when struck with hammer after part is positioned with first two nails or screws.



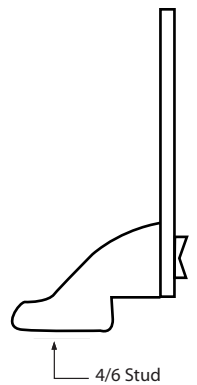
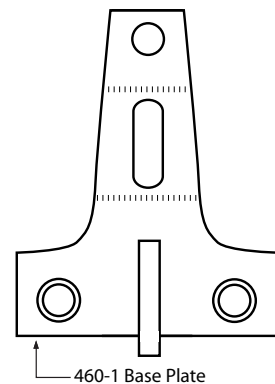
No. 509 Escutcheon



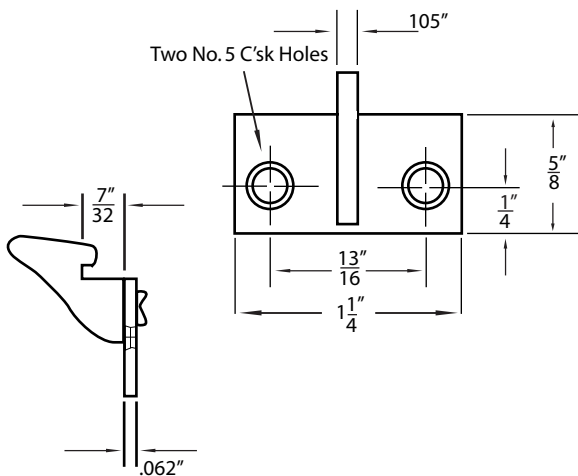
Stud Clearance
 No. 590 = $11/32$ "
 No. 592 = $1/2$ "



No. 460



No. 852





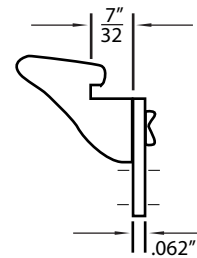
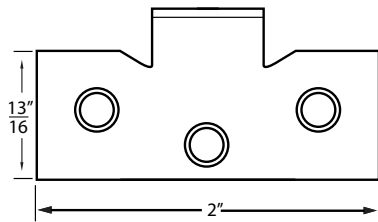
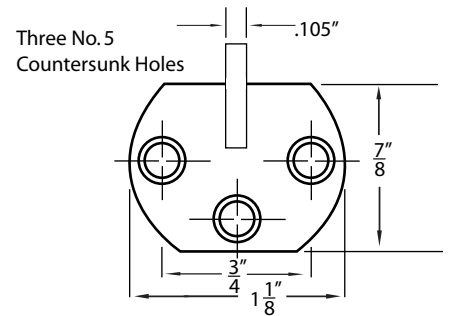
SEPARABLE HINGES



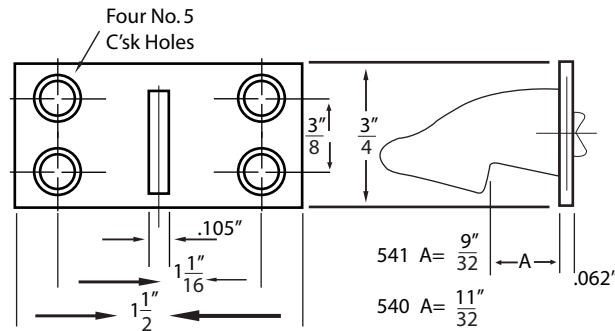
No. 1431



No. 830



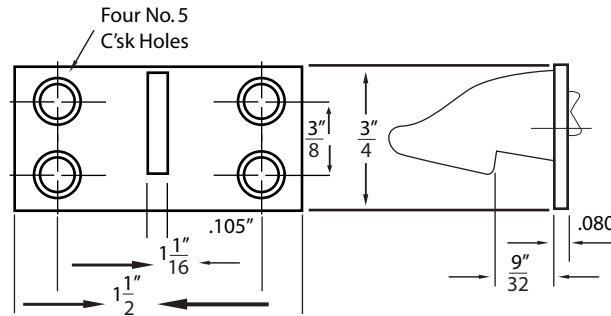
Stud Clearance
No. 540 = 11/32"



Stud Clearance
No. 541 = 9/32"

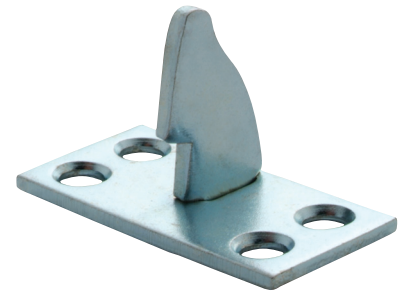
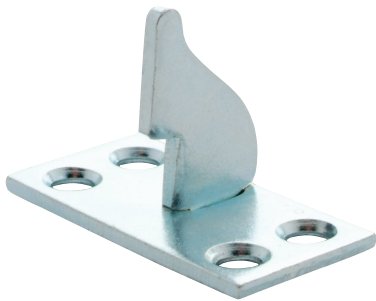


SEPARABLE HINGES



Stud Clearance
No. 550 = $11/32$ "

Stud Clearance
No. 551 = $9/32$ "



No. 420



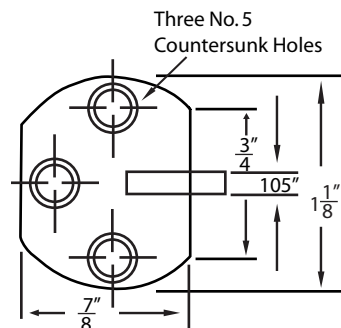
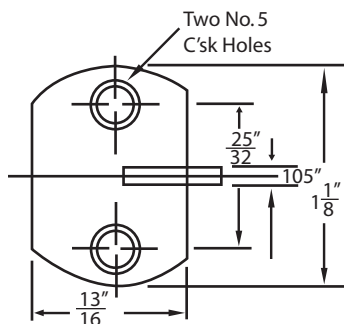
No. 430



No. 425



No. 435

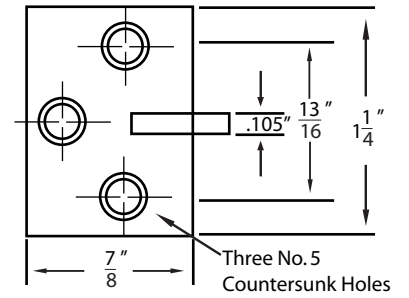


SEPARABLE HINGES

No. 625



No. 630



No. 620



No. 652



No. 657

